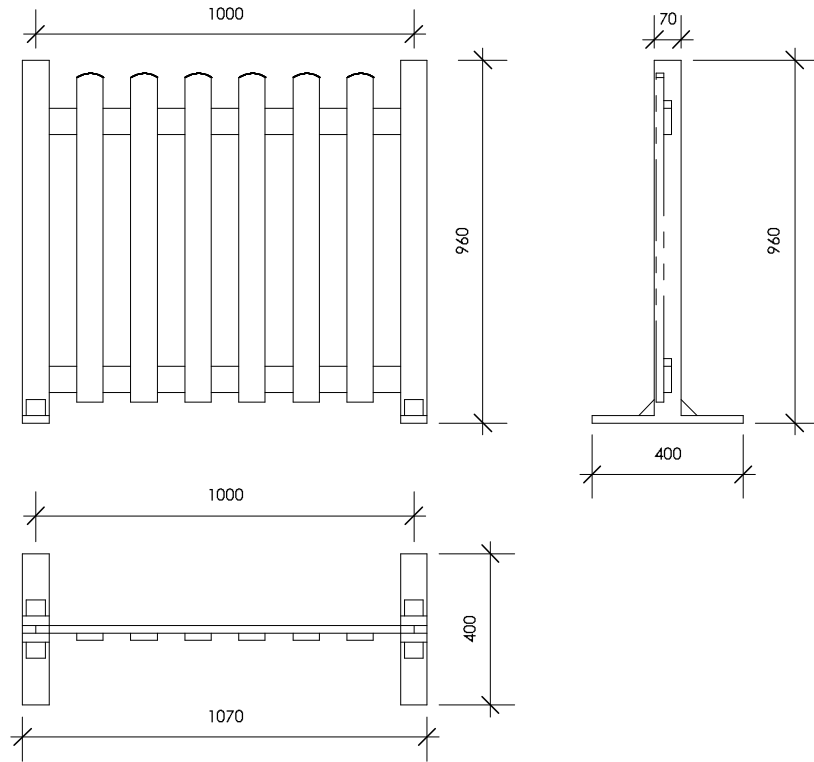
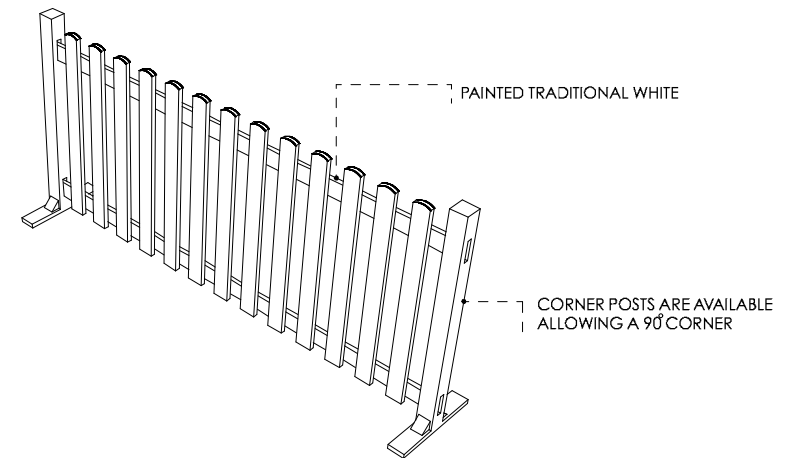
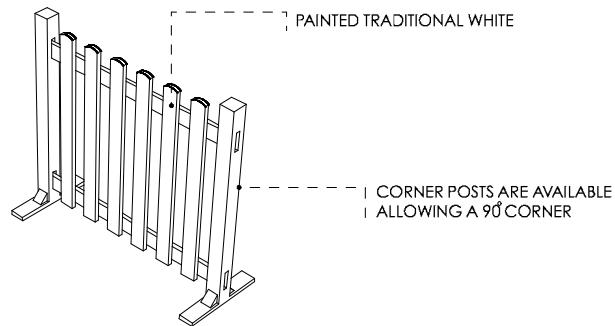
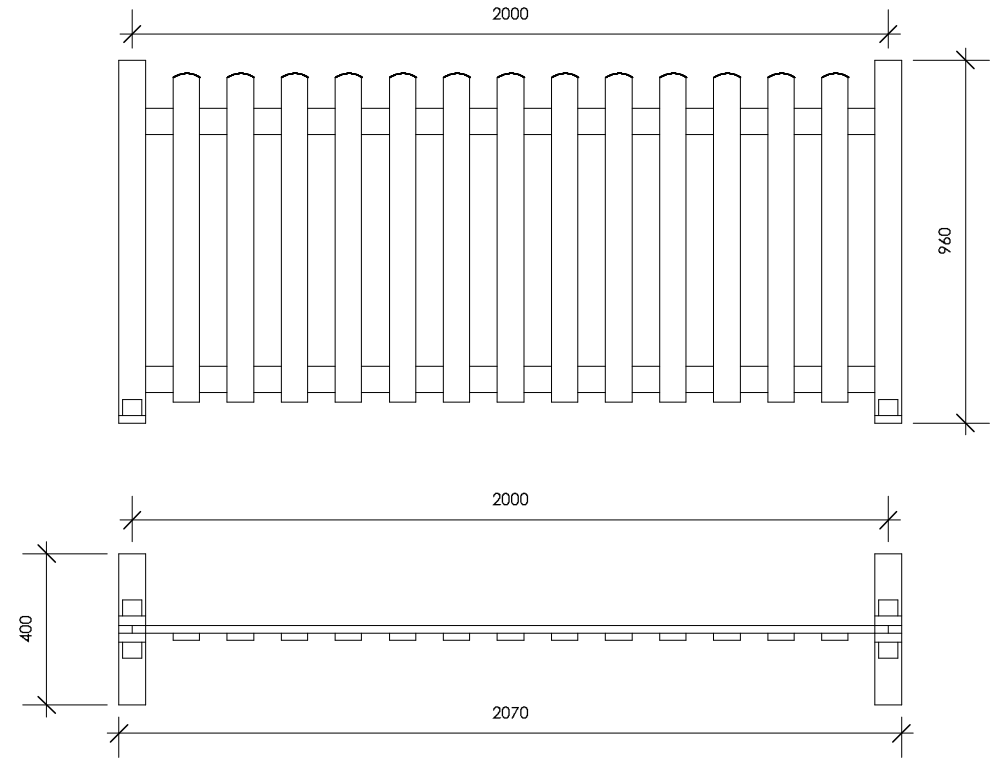


### 1M SECTION



### 2M SECTION



**PLEASE NOTE** - All products made from natural materials which may vary slightly. You should always allow up to 10mm tolerance across each dimension.