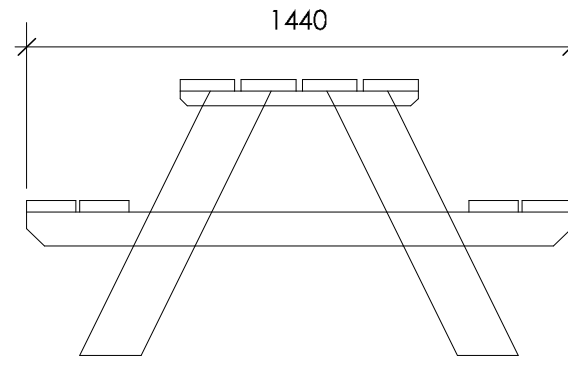
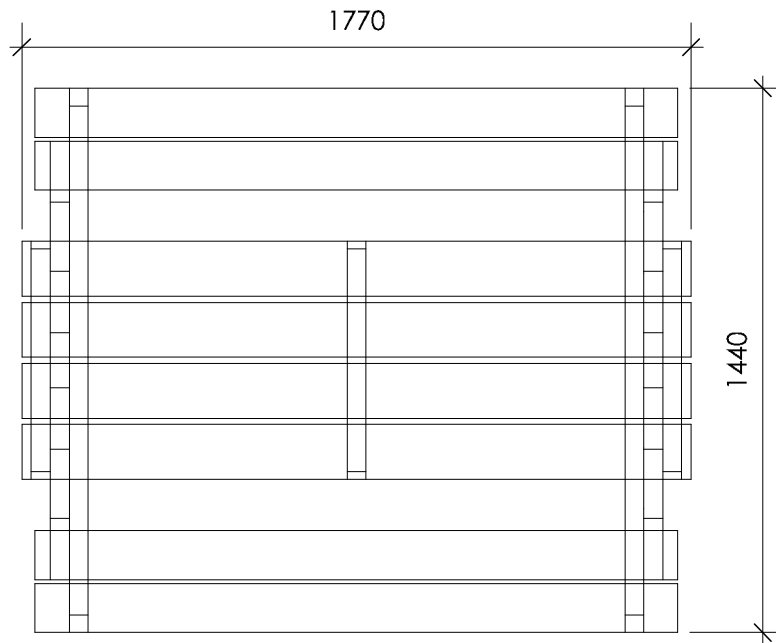


FRONT ELEVATION



SIDE ELEVATION



PLAN

